

Reference: KROSSISB
EAN13: 8050997660253

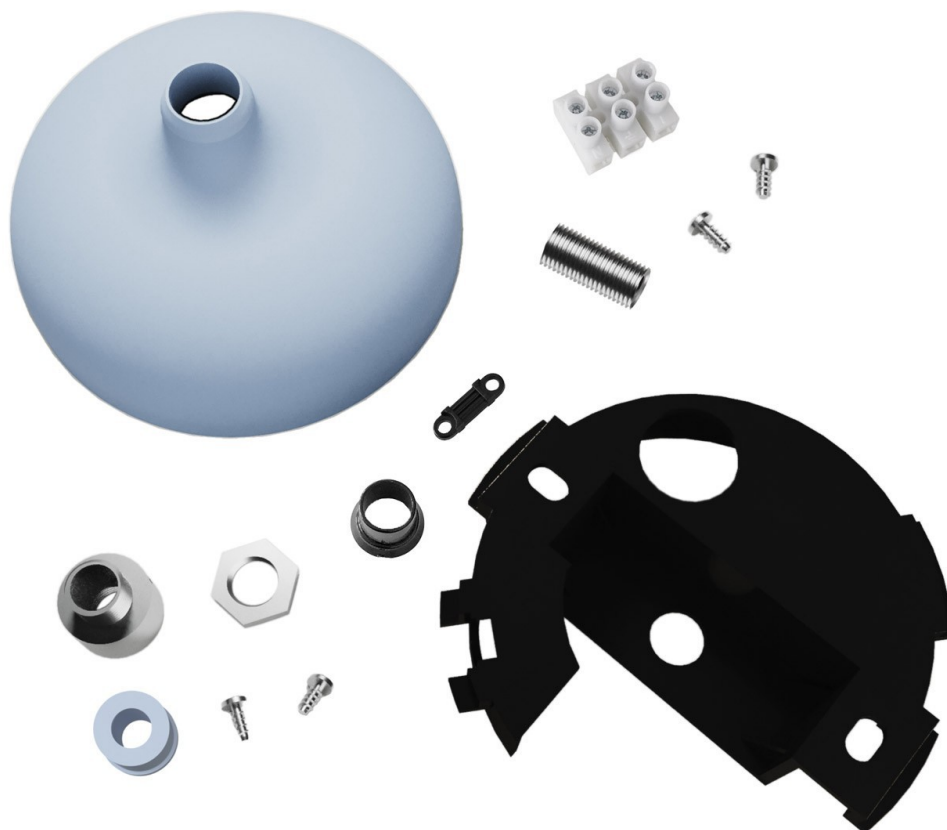
Product title:

Silicone rose kit with central hole suitable for lampshade

Product attributes:

Finish: White, Black, Red, Orange, Yellow, Grey, Soft green, Petrol, Soft blue, Yellow mustard, Salmon, Desert Brown

Product image:



Product price:

\$8.00 tax included

Product short description:

Turn your suspension lamps in a statement piece for your home thanks to the Creative-Cables silicone rose kit. Available in 12 colours, this silicone rose with single central hole is also suitable for lampshades, blending creativity and functionality all in one.

What makes this rose so special?

A rose isn't just a convenient coverup for electrical wires on walls or ceilings, it can be so much more: it's a decorative feature that makes your lamp unique and brings character to any room. This unobtrusive rose without screws was designed to ensure a simple and neat wiring, also thanks to the plastic wall bracket with a designated place to install the three-pole terminal block.

The rose is sold with a special cable clamp to attach either a M10x1 threaded tube (already included with the product) or a suspension cable. If you're looking to install a wall lamp instead, the silicone cover can be reversed to allow the rose to be easily mounted to the wall.

Why silicone?

Silicone is a soft and airy material. Incredibly resistant to high temperatures, chemical aggressions and oxidation, on top of being isolating and almost indestructible. All of these quality have made this reliable and versatile material very popular amongst customers, interior designers and decorators.

What is the side cutting guide for a hole used for?

One side of the silicone rose presents a subtle trace where a hole can be cut if needed by using a pair of scissors or a utility knife. This would enable you to connect two roses of the same collection, creating two lamps with a single light source. You can also install the rose far away from the light source by connecting it to a [fabric cable](#) and a [plug](#).

Product description:

Height: 46,5 mm.

Diameter: Ø 88 mm.

Hole diameter: Ø 10 mm.

Ceiling bracket closure.

Attention: the accessories to connect the rose to the power line are NOT INCLUDED in the kit, but can be purchased separately

Product features:

Product gallery:

